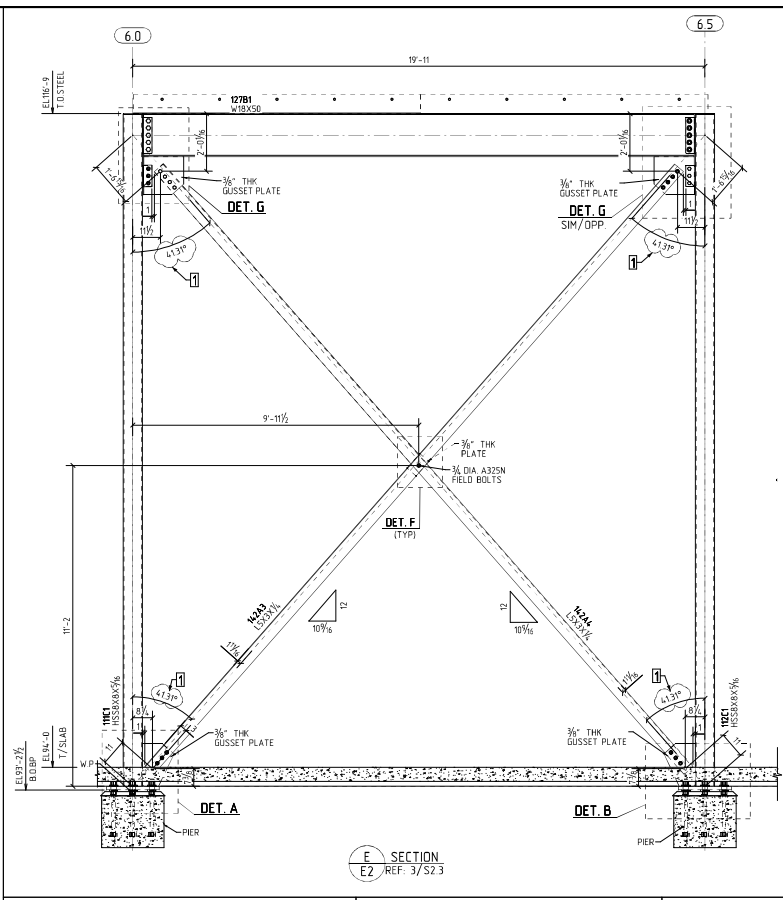
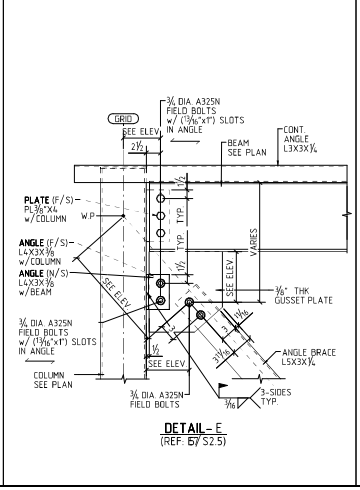


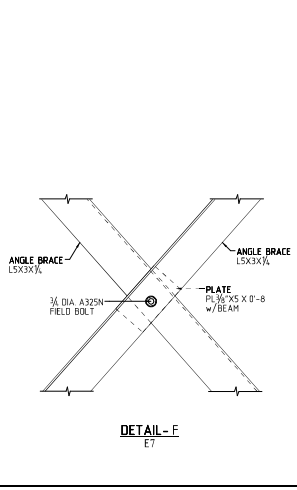
E SECTION
REF: 1/S2.3



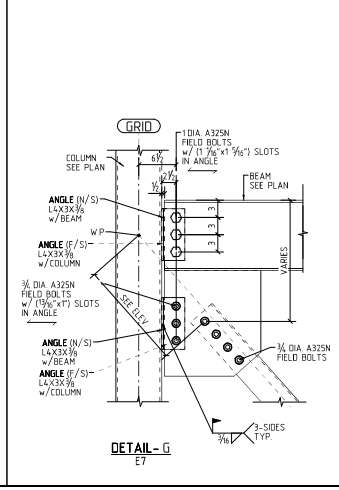
E SECTION
REF: 5/2.3



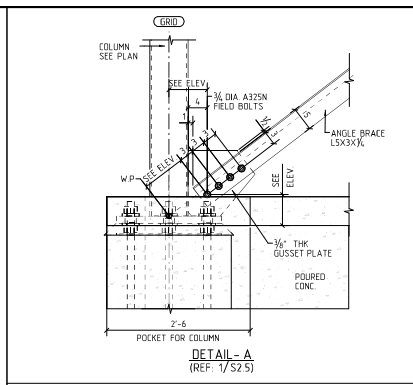
DETAIL - F
REF: 6/2.5



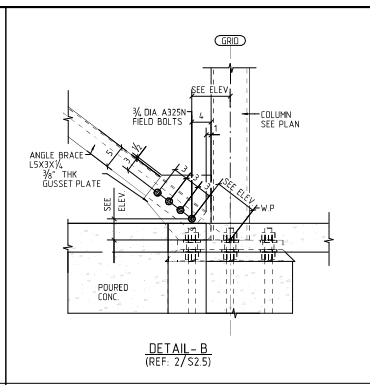
DETAIL - E
REF: 7/S2.5



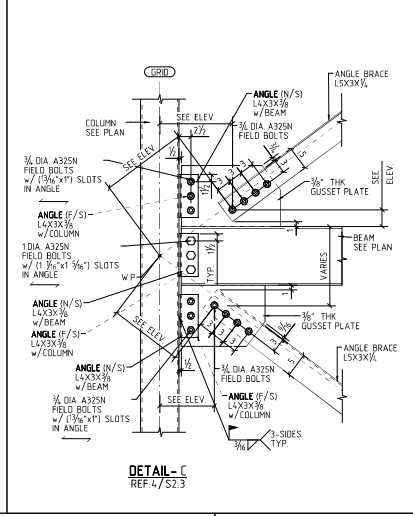
DETAIL - G
REF: 7/S2.5



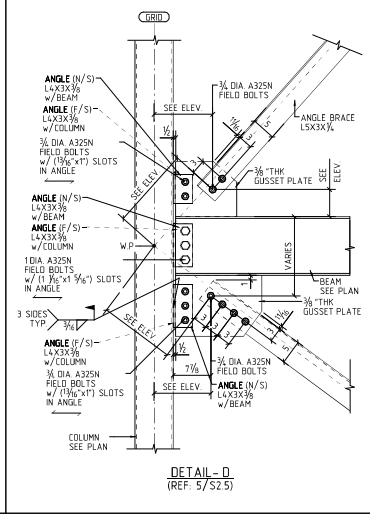
DETAIL - A
REF: 7/S2.5



DETAIL - B
REF: 7/S2.5



DETAIL - C
REF: 4/S2.3



DETAIL - D
REF: 5/S2.5

