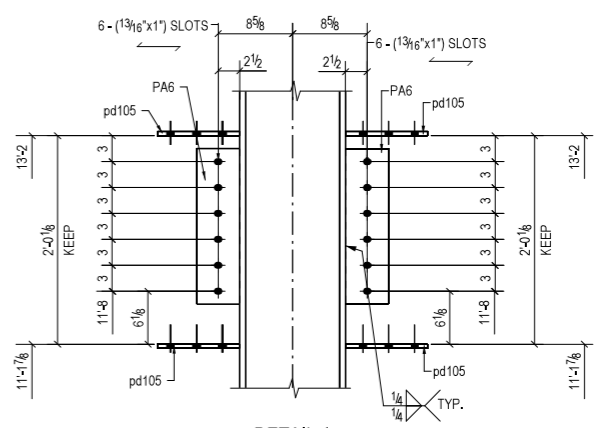
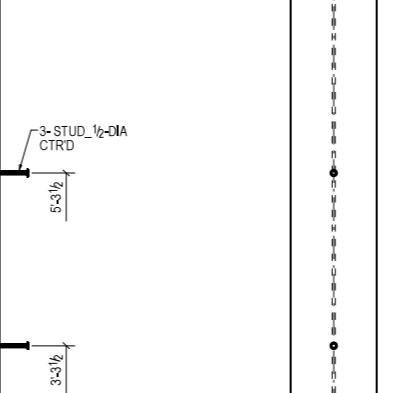
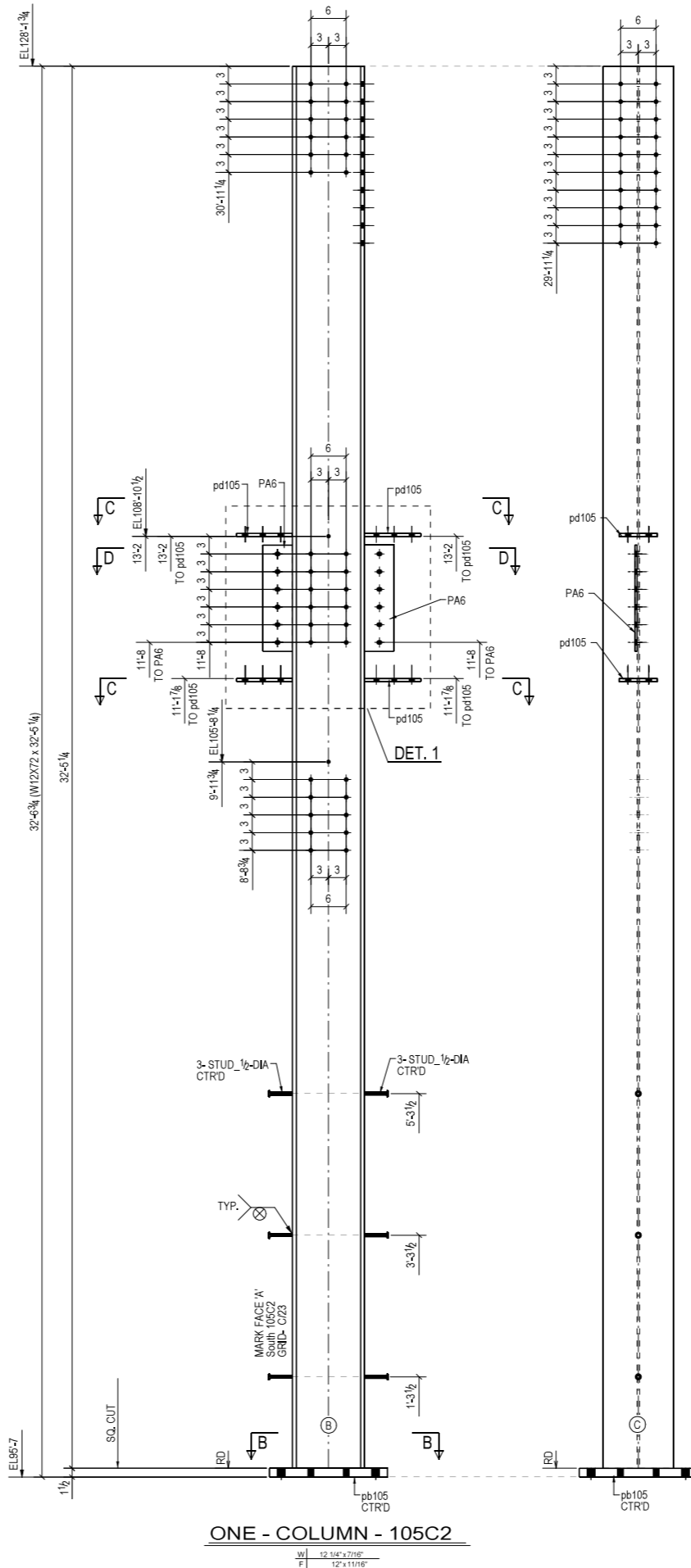
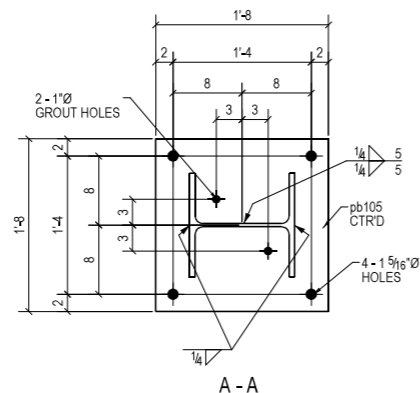
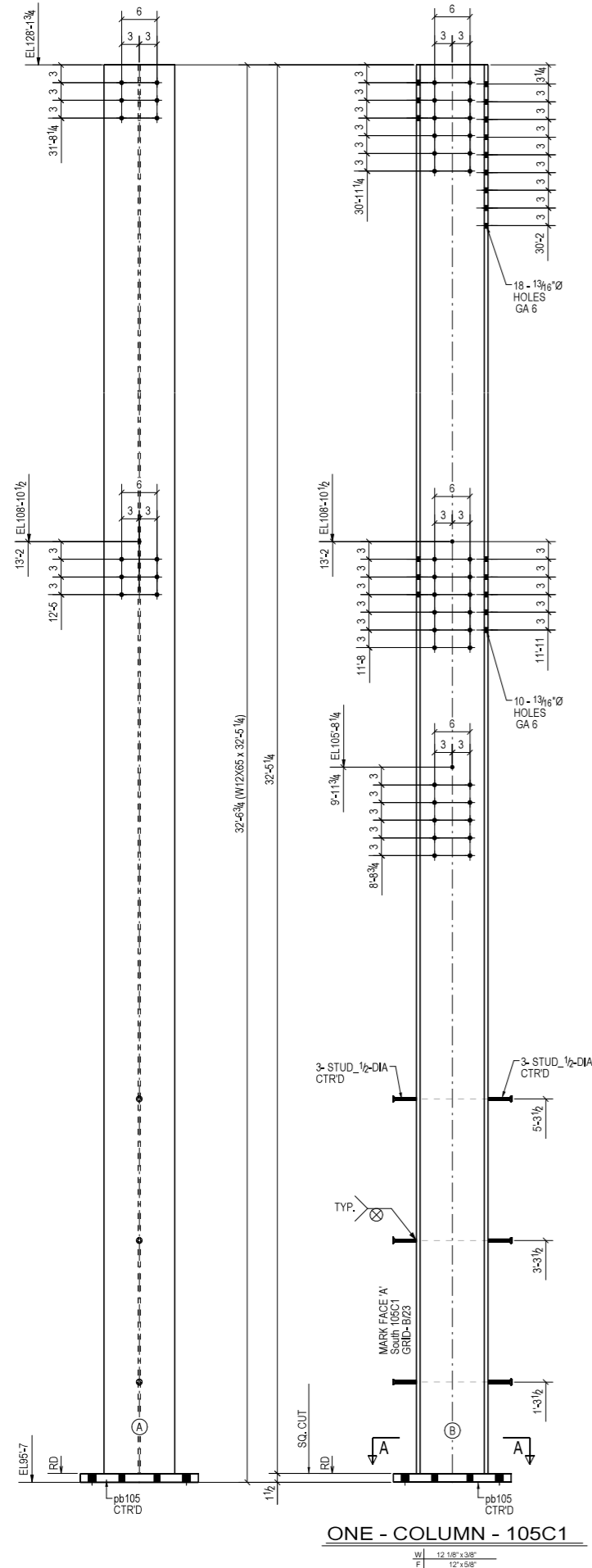
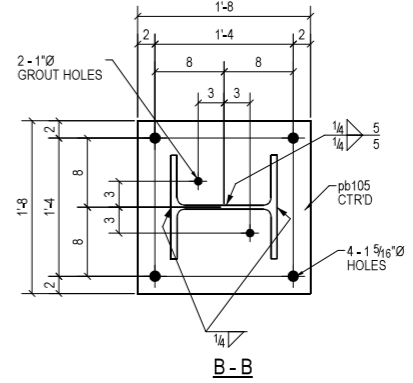
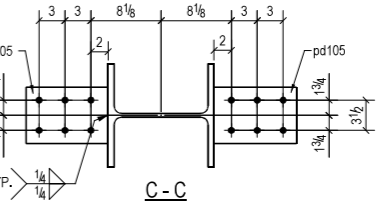
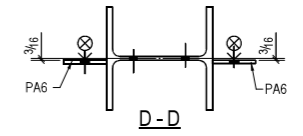


**BILL OF MATERIAL**

SHP	MARK	NO. PCS	DESCRIPTION	LENGTH	FAB. MARK	NOTES
1	105C1	1	W12X65	32'-5 1/4"		ARR2 C11
		1	PL1 1/2"x20"	1'-8"	pb105	A572-GR.50
		6	STUD_1/2-DIA	0'-4"	ssd103	
1	105C2	1	W12X72	32'-5 1/4"		ARR2 CR8
		2	PL3/8"x5"	1'-6"	PA6	A572-GR.50
		1	PL1 1/2"x20"	1'-8"	pb105	A572-GR.50
		4	PL1/2"x6 1/2"	0'-9 1/2"	pd105	A572-GR.50
		6	STUD_1/2-DIA	0'-4"	ssd103	



**DETAIL 1**  
OTHERS NOT SHOWN FOR CLARITY



REV.	DESCRIPTION	DATE	DWN	CHK
0	For Fabrication	02/08/2022	D5	D5
A	For Approval	12/07/2021	D5	D5

GENERAL NOTES		JOB USE	
MATERIAL: A36 UNO	ELECTRODES: E70XX	DATE	11/24/2021
HOLES: 13/16 UNO	CONNS: WELDED SE1	DATE	12/07/2021
SURFACE PREP.: SSPC SP-2		JOB No.	105
AND PAINT: NO PAINT		REV.	0
DESCRIPTION: COLUMN DETAILS			
JOB:			
CUSTOMER:			

